

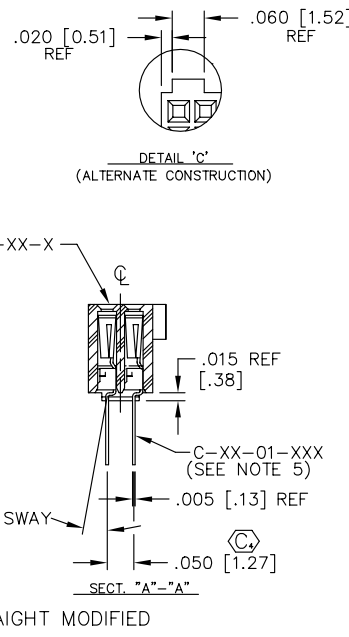
UNLESS OTHERWISE NOTED TOLERANCES ARE:

| | | |
|--------------------------|-----------------------------|-------------|
| ONE PLACE DECIMALS ± .1 | THREE PLACE DECIMALS ± .005 | ANGLES ± 2° |
| TWO PLACE DECIMALS ± .01 | FOUR PLACE DECIMALS ± .0020 | |

TITLE: .050 X .050 SOCKET STRIP DOUBLE ROW ASSEMBLY

DWG NO: SFM-1XX-XX-XXX-D-XX

SHEET 1 OF 3



SFM-1XX-XX-XXX-D-XX

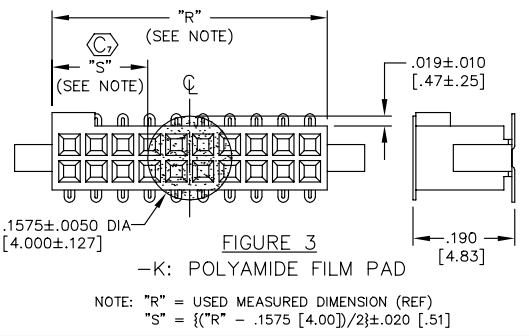
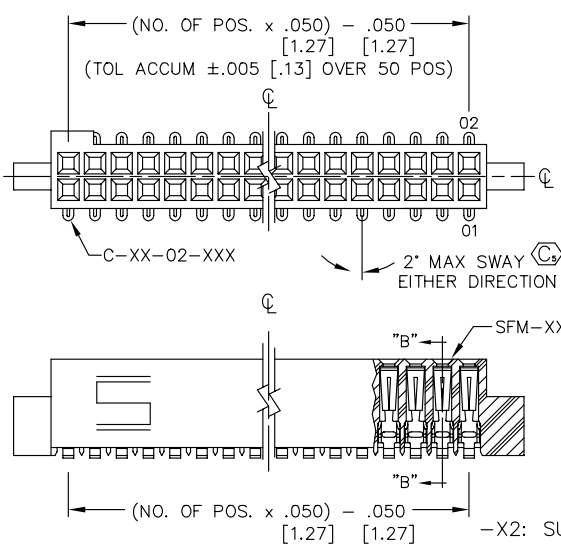
| NO. OF POSITIONS | OPTIONS |
|--|--|
| ALL POSITIONS AVAILABLE -5 THRU -50 | (LEAVE BLANK FOR STANDARD AND USE SFM-XX-D) |
| USE BODY: (SFM-XX-D-XX-X) | -N: NO POLARIZATION NOTCH (USE SFM-XX-D-XX-N) |
| LEAD STYLE | -A: ALIGNMENT PIN (USE SFM-XX-D-A-X) (SEE FIGURE 5, SHT. 1) |
| -01: THROUGH HOLE USE CONTACT: (C-44-01-XXX) (SEE FIG. 1, SHT. 1) | -LC: LOCKING CLIP (SEE FIGURE 7) (USE (2) LC-05-TM & SFM-XX-D-LC-X) (AVAILABLE ON ALL LEADS) |
| -02: SURFACE MOUNT USE CONTACT: (C-44-02-XXX) (SEE FIG. 2, SHT. 1) | -P: PICK AND PLACE PAD (SEE FIG. 6, SHT. 2) |
| -03: STRAIGHT MODIFIED USE CONTACT: (C-44-03-XXX) (SEE FIG. 1, SHT. 1) | -TR: TAPE & REEL (SEE FIG. 4, SHT. 3) |
| -L1: THROUGH HOLE (LOW INSERTION) USE CONTACT: (C-61-01-XXX) (SEE FIG. 1, SHT. 1) | -K: POLYAMIDE FILM PAD (.005 [0.13] THICKNESS WITH SILICONE ADHESIVE) (SEE FIG. 3) (USE K-500-300) |
| -L2: SURFACE MOUNT (LOW INSERTION) USE CONTACT: (C-61-02-XXX) (SEE FIG. 2, SHT. 1) | BODY SPECIFICATION |
| -L3: STRAIGHT MODIFIED (LOW INSERTION) USE CONTACT: (C-61-03-XXX) (SEE FIG. 1, SHT. 1) | -D: DOUBLE ROW |
| -T1: THROUGH HOLE (PHOS BRONZE) USE CONTACT: (C-119-01-XXX) (SEE FIG. 1, SHT. 1) | PLATING SPECIFICATION |
| -T2: SURFACE MOUNT (PHOS BRONZE) USE CONTACT: (C-119-02-XXX) (SEE FIG. 2, SHT. 1) | -S: SELECTIVE - SPECIFY -S IN PLATING SUFFIX -XXX |
| | -P: GOLD FLASHED PALLADIUM NICKEL - SPECIFY -P IN PLATING SUFFIX -XXX |
| | -F: FLASH SELECTIVE GOLD - SPECIFY -F IN PLATING SUFFIX -XXX |
| | -H: HEAVY GOLD - SPECIFY -H IN PLATING SUFFIX -XXX |
| | -L: SELECTIVE LIGHT GOLD - SPECIFY -L IN PLATING SUFFIX -XXX |
| | -STL: SELECTIVE GOLD/TIN-LEAD TAIL SPECIFY -STL IN PLATING SUFFIX -XXX (ONLY AVAILABLE ON -02 OR -L2 LEADSTYLES) |
| | -SM: SELECTIVE GOLD/MATTE TIN TAIL SPECIFY -S IN SUFFIX -XXX |
| | -LM: LIGHT SELECTIVE GOLD/MATTE TIN TAIL SPECIFY -L IN PLATING SUFFIX -XXX |
| | -FM: FLASH SELECTIVE GOLD/MATTE TIN TAIL SPECIFY -F IN PLATING SUFFIX -XXX |

TABLE 1

| SUFFIX | TAIL LENGTH "A" | TAIL WIDTH "B" |
|--------|-----------------|----------------|
| -X1 | .120 [3.05] | .020 [.51] |
| -X3 | .075 [1.91] | .016 [.41] |

* = NOT RELEASED

DIFFERENT AS SHOWN OTHERWISE SAME AS FIG. 1



- NOTES:
- MIN. PUSHOUT FORCE: 5 lb.
 - COPLANARITY: .004=POS 05 THRU 26
.006=POS 27 THRU 50
 - Ⓢ REPRESENTS CRITICAL DIMENSION
 - TUBE ALL POSITIONS.
 - PINS CAN BE ORIENTED IN ANY DIRECTION; BOTH ROWS MUST FACE SAME WAY.
 - SEE NOTCH FOR PROPER ORIENTATION.
 - .003 [.08] MAXIMUM PIN HEIGHT VARIATION BETWEEN ANY TWO PINS.

PROPRIETARY NOTE
THIS DOCUMENT CONTAINS INFORMATION CONFIDENTIAL AND PROPRIETARY TO SAMTEC INC. AND SHALL NOT BE REPRODUCED OR TRANSFERRED TO OTHER DOCUMENTS OR DISCLOSED TO OTHERS OR USED FOR ANY PURPOSE OTHER THAN THAT FOR WHICH IT WAS OBTAINED WITHOUT THE EXPRESSED WRITTEN CONSENT OF SAMTEC INC.

MATERIAL:
INSULATOR:
BLACK LIQUID
CRYSTAL POLYMER

CONTACT MATERIAL:
TIGER EYE =BeCu
TIGER EYE LITE =
PHOSPHOR BRONZE

EXISPROD\ASSEMBLY\050 SFM-ASM1

samtec

520 PARK EAST BLVD. NEW ALBANY, INDIANA 47150
PHONE (812) 944-6733 P.O. BOX 1147
CODE 55322

MADE BY: JORDAN 12/11/89

SFM-1XX-XX-XXX-D-XX
SHEET 1 OF 3

FIGURE 5
-A OPTION
DIFFERENT AS SHOWN, OTHERWISE SAME AS FIGURE 1

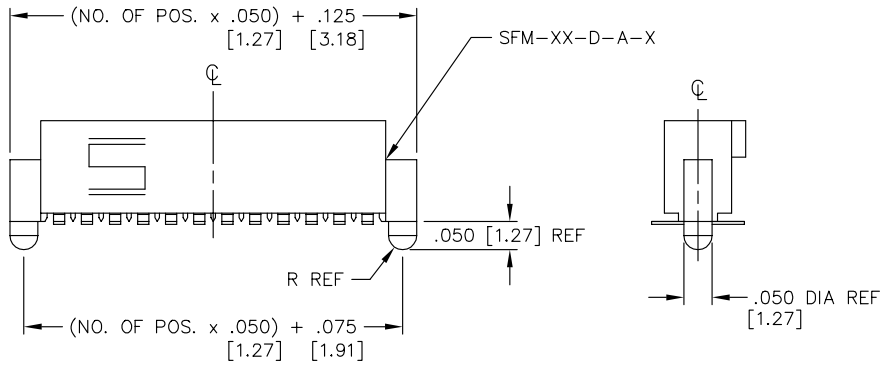
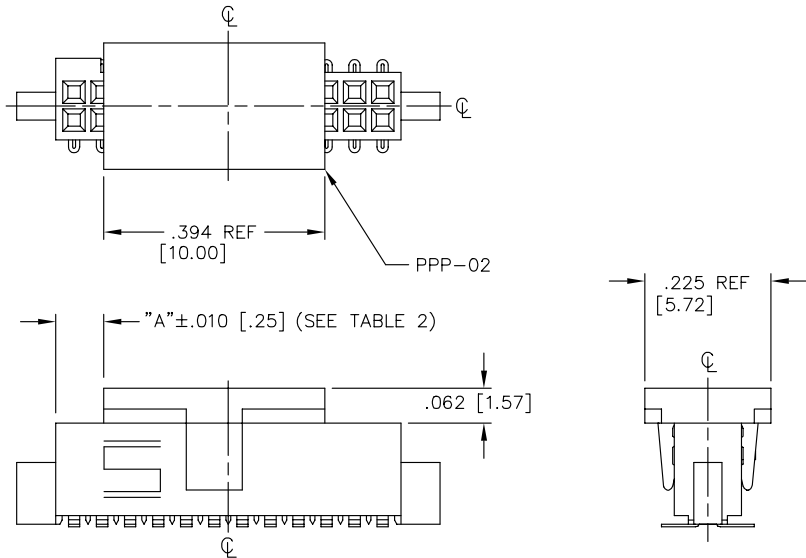


FIGURE 6
-P OPTION
DIFFERENT AS SHOWN, OTHERWISE SAME AS FIGURE 1
(PAD TO BE POSITIONED AS SHOWN)

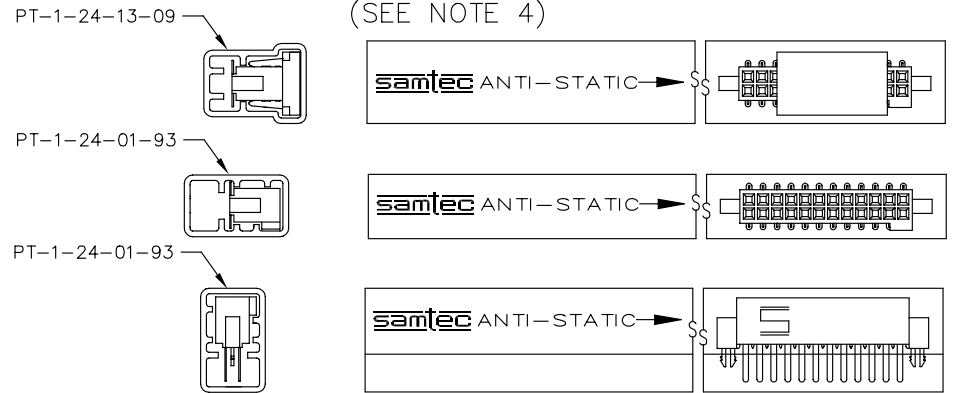


| TABLE 2 | |
|---------|--|
| POS. | "A" |
| ODD | {{(No. OF POS x .050 [1.27]) / 2} - .1895 [4.813]} |
| EVEN | {{(No. OF POS x .050 [1.27]) / 2} - .2145 [5.448]} |

PROPRIETARY NOTE
THIS DOCUMENT CONTAINS INFORMATION CONFIDENTIAL AND PROPRIETARY TO SAMTEC INC. AND SHALL NOT BE REPRODUCED OR TRANSFERRED TO OTHER DOCUMENTS OR DISCLOSED TO OTHERS OR USED FOR ANY PURPOSE OTHER THAN THAT FOR WHICH IT WAS OBTAINED WITHOUT THE EXPRESSED WRITTEN CONSENT OF SAMTEC INC.

| | | | | | | | |
|--------------------------|-----------------------------|------------------------|-----------------------------|-----------------|----------------------------------|--------------------|---------------------|
| DIMENSIONS ARE IN INCHES | | UNLESS OTHERWISE NOTED | | TOLERANCES ARE: | | TITLE: .050 X .050 | DWG NO: |
| ONE PLACE DECIMALS ± .1 | THREE PLACE DECIMALS ± .005 | ANGLES ± 2° | FOUR PLACE DECIMALS ± .0020 | | SOCKET STRIP DOUBLE ROW ASSEMBLY | | SFM-1XX-XX-XXX-D-XX |
| | | | | | | SHEET 2 OF 3 | |

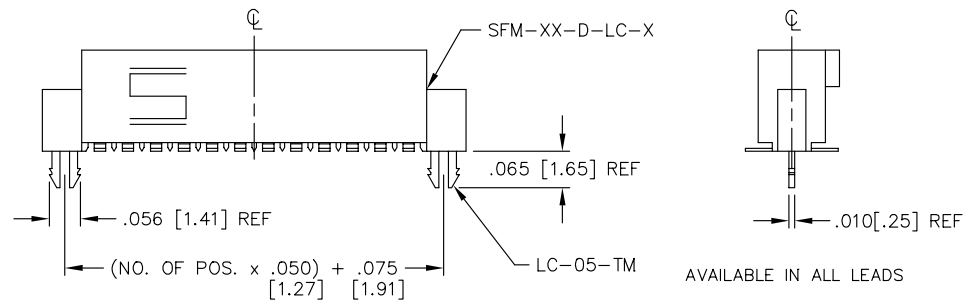
PACKAGE PARTS IN TUBE AS SHOWN
(SEE NOTE 4)



| LEAD STYLE | PACKAGING TUBE | PLUG |
|--|----------------|----------|
| -105-X2-X-D, -105-X2-X-D-LC, -105-X2-D-A | PT-1-24-14-09 | TP-24-02 |
| -X1-D, -X3-D, -X1-D-LC, -X3-D-LC (NO P&P PAD), -X1-D-A, -X3-D-A | PT-1-24-01-93 | TP-24-02 |
| -X1-D-P, -X1-D-LC-P (W/ P&P PAD), -X1-D-A-P | PT-1-24-02-17 | TP-09 |
| -X2-D, -X2-D-K, -X2-D-LC (NO P&P PAD), -X2-D-A, -X2-D-K-A | PT-1-24-14-09 | TP-24-02 |
| -X2-D-P, -X3-D-P, -X2-D-K-LC, -X2-D-LC-P (W/ P&P PAD), -X2-D-A-P, -X3-D-A-P | PT-1-24-13-09 | TP-24 |

5 POS -01 AND -03 LEAD STYLES MAY BE TUBED USING PT-1-24-15-09, TP-24-02

FIGURE 7: -LC OPTION
DIFFERENT AS SHOWN, OTHERWISE SAME AS FIGURE 1



EXISPROD\ASSEMBLY\050
SFM-ASM2

samtec

520 PARK EAST BLVD. NEW ALBANY, INDIANA 47150
PHONE (812) 944-6733 P.O. BOX 1147
CODE 55322

MADE BY: JORDAN 12/11/89

SFM-1XX-XX-XXX-D-XX
SHEET 2 OF 3

REV. BZ

UNLESS OTHERWISE NOTED
DIMENSIONS ARE IN INCHES TOLERANCES ARE:

ONE PLACE DECIMALS ± .1
TWO PLACE DECIMALS ± .01

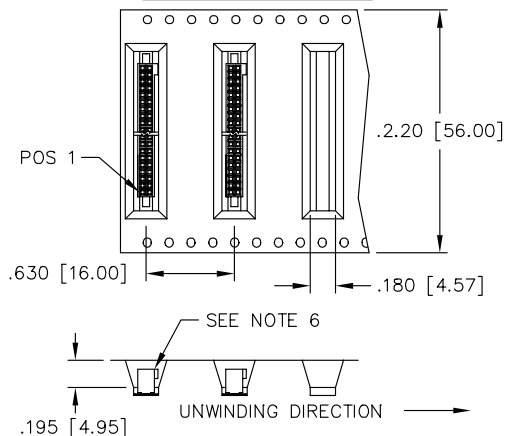
THREE PLACE DECIMALS ± .005
FOUR PLACE DECIMALS ± .0020

ANGLES
± 2°

TITLE: .050 X .050
SOCKET STRIP
DOUBLE ROW ASSEMBLY

DWG NO:
SFM-1XX-XX-XXX-D-XX
SHEET 3 OF 3

FIGURE 4
-TR TAPE AND REEL



PROPRIETARY NOTE
 THIS DOCUMENT CONTAINS INFORMATION
 CONFIDENTIAL AND PROPRIETARY TO
 SAMTEC INC. AND SHALL NOT BE
 REPRODUCED OR TRANSFERRED TO
 OTHER DOCUMENTS OR DISCLOSED TO
 OTHERS OR USED FOR ANY PURPOSE
 OTHER THAN THAT FOR WHICH IT WAS
 OBTAINED WITHOUT THE EXPRESSED
 WRITTEN CONSENT OF SAMTEC INC.

samtec

EXISPROD\ASSEMBLY\050
SFM-ASM3

520 PARK EAST BLVD. NEW ALBANY, INDIANA 47150
 PHONE (812) 944-6733 P.O. BOX 1147
 CODE 55322

MADE BY: JORDAN 12/11/89

SFM-1XX-XX-XXX-D-XX
SHEET 3 OF 3